

EATON

Cutler-Hammer

Halyester™ Switch

Product Focus



Product Description

Eaton's new Halyester enclosed safety switch provides customers with a strong, yet lightweight heavy-duty, corrosion-resistant, NEMA® 4X switch that withstands salt environments and general outdoor conditions better than standard 304-grade stainless steel at a more competitive price point than other non-metallic enclosures.

Halyester is the trade name for Eaton's fiberglass-reinforced polyester enclosures that have been employed throughout Europe and Asia, in extremely harsh environmental conditions, for over 30 years.

Halyester has proven its reliability from the cold northern coasts of Scandinavia to the hot, tropical areas of the Middle and Far East, and Africa.

Halyester is used as the basic construction material because of its excellent mechanical and electrical properties and corrosion-free characteristics. This guarantees a maintenance-free and reliable operation for many years. After its useful lifetime, Halyester can be fully recycled. The polyester used is thermo setting, which means that mechanical and electrical properties are maintained also under higher temperatures.

By employing a polycarbonate door, the Halyester Safety Switch provides an industry-exclusive clear cover option. This feature provides safety from potential arc flashes by allowing users to visibly check both the contact position and blown fuse indication without opening the door.

Also, with the use of the clear cover option, all product labels are moved to the inside of the door, making the Halyester switch ideal for food processing areas where there are concerns of contaminants entering the food. There is nothing on the exterior of the switch that could possibly contaminate food batches.

The Halyester enclosure is wrapped around Eaton's industry-leading K-Switch mechanism. With all of the design benefits of the standard Cutler-Hammer® switch including the visible double-break, quick-make, quick-break rotary blade mechanism with two contact points per pole.

Standard Features

- NEMA 4X non-metallic enclosure.
- Padlockable enclosure.
- Handle padlockable in the OFF position.
- Six-point door hold-down for superior fluid ingress prevention.
- Six-point mounting with concealed hardware.
- Continuous Polyurethane seal.

- Interlocking mechanism with defeater.
- Horsepower rated.

Optional Features

- Clear cover.
- EnviroLine stainless steel mechanism.

Standards and Ratings

- UL® 98 Standard for enclosed deadfront switches.
- UL 50 Standard for enclosures for electrical equipment.
- NEMA KS-1.
- 600 Vac maximum.
- 30 – 200 ampere, 3-pole.



Halyester switch can be padlocked in the OFF position by extending handle hasp.



Halyester switch features a continuous, molded-in place Neoprene gasket.

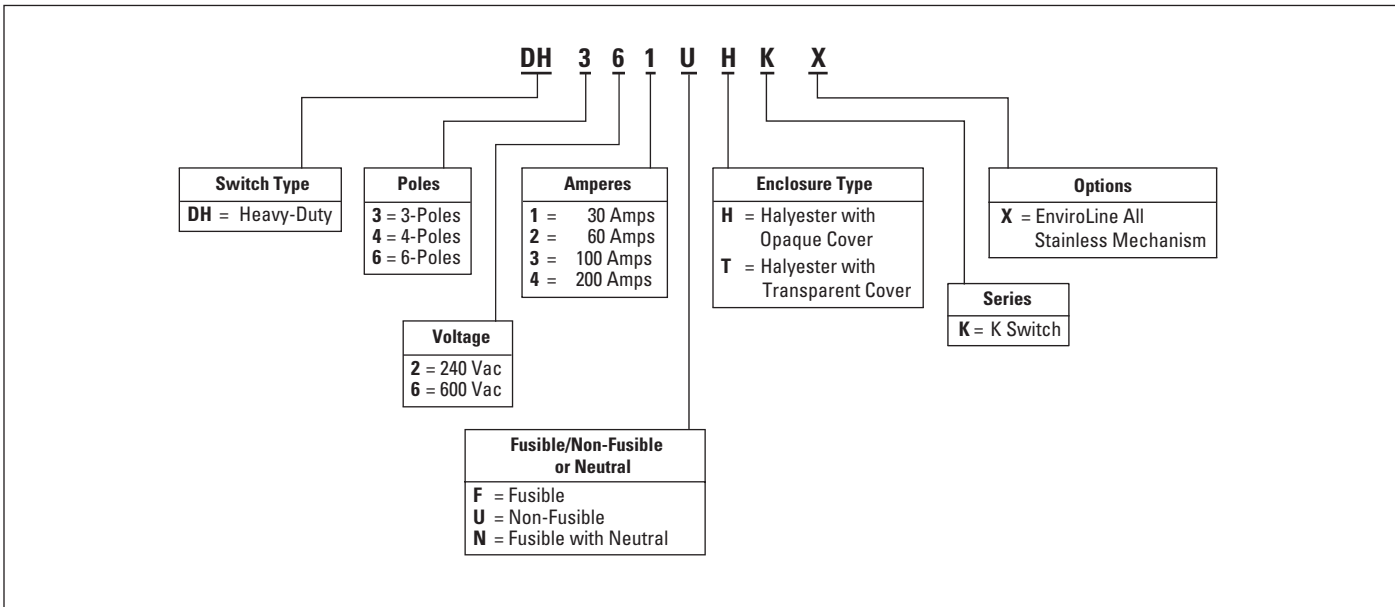


Enclosure door is padlockable with included padlock tab.



Enclosure features 6-point mounting holes and 6-point door latch system.

HALYESTER SWITCH CATALOG NUMBERING SYSTEM



Eaton Electrical Inc.
1000 Cherrington Parkway
Moon Township, PA 15108
United States
tel: 1-800-525-2000
www.EatonElectrical.com

Halyester is a trademark of Eaton Corporation. Cutler-Hammer is a federally registered trademark of Eaton Corporation. NEMA is the registered trademark and service mark of the National Electrical Manufacturers Association. UL is a federally registered trademark of Underwriters Laboratories Inc.



© 2006 Eaton Corporation
All Rights Reserved
Printed in USA
Publication No. PA00801003E / Z4536
August 2006

4

3

2

1

KNOCKOUTS TO BE OMITTED IN TOP ENDWALL FOR FIG. NO. 8 & 11 ONLY.

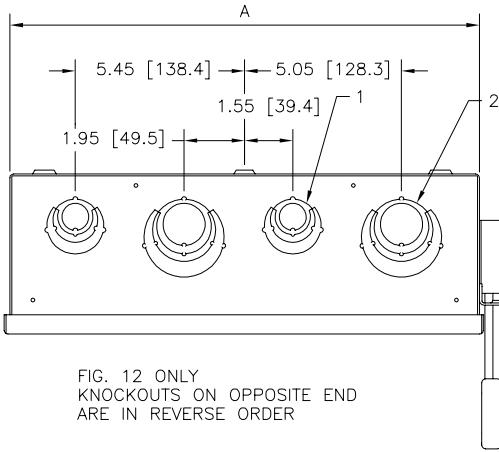
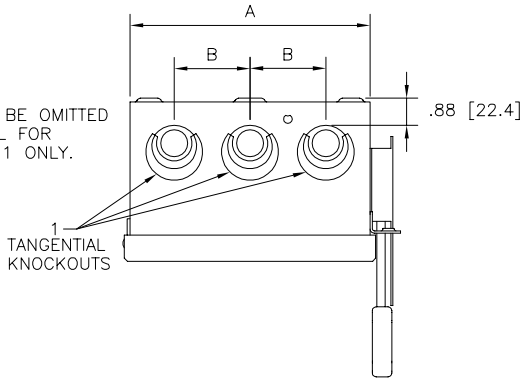
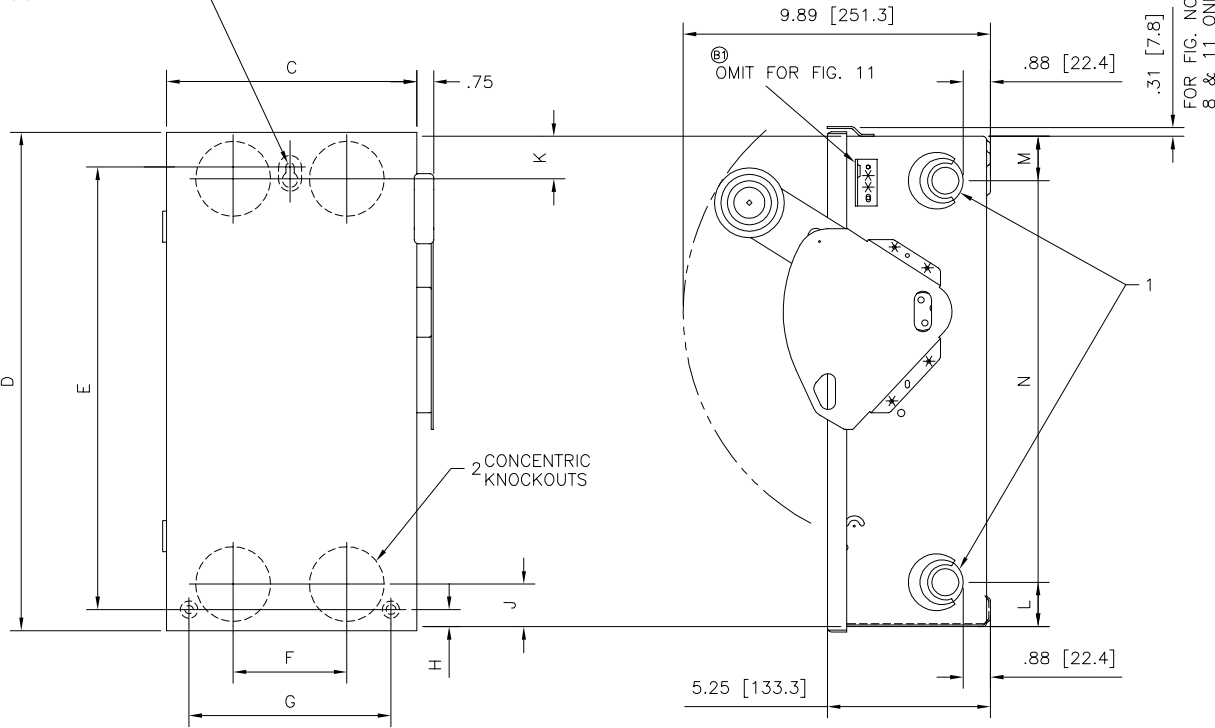


FIG. 12 ONLY
KNOCKOUTS ON OPPOSITE END
ARE IN REVERSE ORDER

.27 DIA. MTG. HOLE (3) REQD.



FOR FIG. NO. 8 & 11 ONLY

FIG. NO.	A	B	C	D	E	F	G	H	J	K	L	M	N	CONDUIT K.O. QTY. & SIZES	DESCRIPTION
12	15.12 [384.0]	7.75 [196.9]	7.75 [196.9]	15.43 [391.9]	21.99 [558.5]	20.00 [508]	—	12.75 [323.9]	.74 [18.8]	—	—	—	21.68 [550.7]	④ 1/2-3/4-1-1/4	100 AMP 4 POLE TYPE 1
11	7.75 [196.9]	2.44 [62.0]	2.44 [62.0]	8.12 [206.2]	16.27 [413.3]	14.25 [362.0]	3.66 [93.0]	6.50 [165.1]	.56 [14.2]	1.38 [35.1]	1.44 [36.6]	1.44 [36.6]	15.81 [401.6]	⑤ 3/4-1-1/4	30 & 60 AMP 3 POLE TYPE 3R
10	7.75 [196.9]	2.44 [62.0]	2.44 [62.0]	8.06 [204.7]	16.00 [406.4]	14.25 [362.0]	3.66 [93.0]	6.50 [165.1]	.56 [14.2]	1.38 [35.1]	1.44 [36.6]	1.44 [36.6]	15.81 [401.6]	⑩ 3/4-1-1/4	30 & 60 AMP 3 POLE TYPE 1
8	10.78 [273.8]	3.50 [88.9]	3.50 [88.9]	11.09 [281.7]	21.99 [558.5]	20.00 [508]	4.50 [114.3]	9.50 [241.3]	.74 [18.8]	1.88 [47.8]	1.88 [47.8]	1.88 [47.8]	21.68 [550.7]	⑤ 1/4-1-1/2-2	100 AMP 3 POLE TYPE 3R
7	10.78 [273.8]	3.50 [88.9]	3.50 [88.9]	11.09 [281.7]	21.99 [558.5]	20.00 [508]	4.50 [114.3]	9.50 [241.3]	.74 [18.8]	1.88 [47.8]	1.88 [47.8]	1.88 [47.8]	21.68 [550.7]	⑩ 1/4-1-1/2-2	100 AMP 3 POLE TYPE 1
3	11.87 [300.5]	2.38 [60.5]	2.38 [60.5]	12.18 [309.4]	16.00 [406.4]	13.75 [349.3]	—	10.00 [254]	1.06 [26.9]	—	—	—	15.81 [401.6]	② 1/2-3/4-1	30 & 60 AMP 4 POLE TYPE 1

REV.	DESCRIPTION	DATE
1	ISSUED FOR FAB	10/13/82
2	ADDED "OMIT FOR FIG. NO. 8 & 11 ONLY"	5/17/92

THE INFORMATION ON THIS DRAWING IS THE PROPERTY OF EATON CORPORATION IT IS DISCLOSED IN CONFIDENCE AND IS NOT TO BE REPRODUCED, USED OR DISCLOSED EXCEPT FOR THE PURPOSE FOR WHICH IT IS FURNISHED.

FILENAME: 95-955.DWG
FEDERAL ID NUMBER: —

DFT: EDDIE CARSON 10/5/82
APPD: J. BISCHOF 10/5/82

DSP (PROJECT NO.): DV89-1069
SCALE: 1=3

PRODUCT CODE: —
REVISION: B1

CUTLER-HAMMER

PITTSBURGH, PA.

TITLE: DIMENSION SHEET 30, 60, & 100 AMP TYPE 1 & 3 3P & 4P

TYPE: —

DWG. NO. 95-955
SHEET NO. 1 OF 1

4

3

2

1

DIMCFM REV. 5/15/98